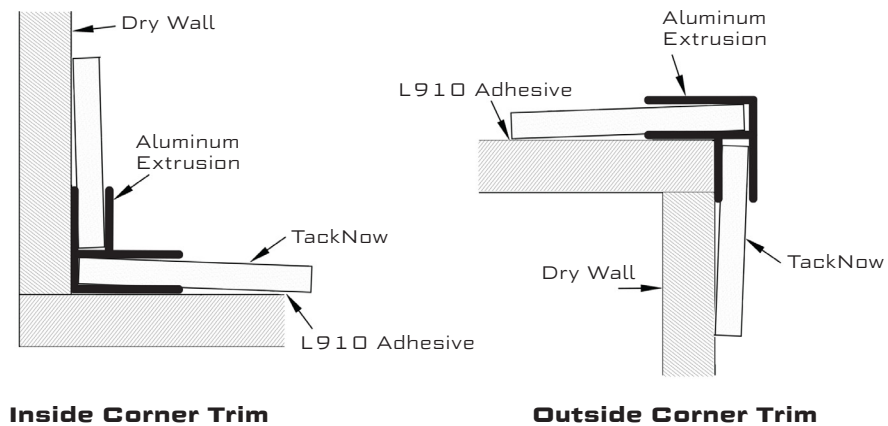
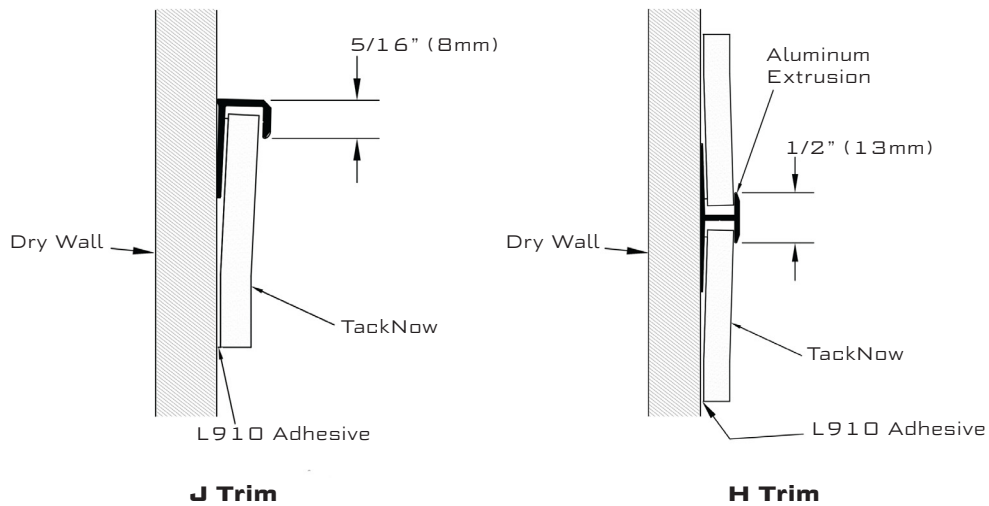


# tackNOW

## Trim Installation Instructions



Aluminum trim shall be fastened with self-tapping drywall screws and bonded with L910 adhesive or contact cement.